

## GMUD-140 Trunk Handle

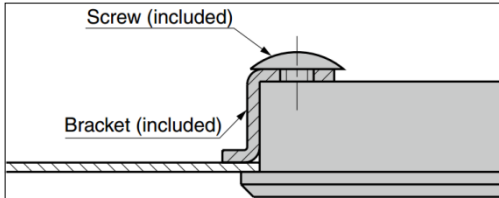
### Features

- Handle retracts automatically with spring

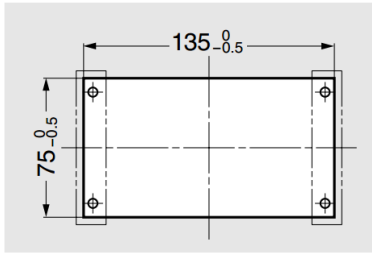
### Parts Included

- Truss head screw M5x8
- Bracket for sheet metal

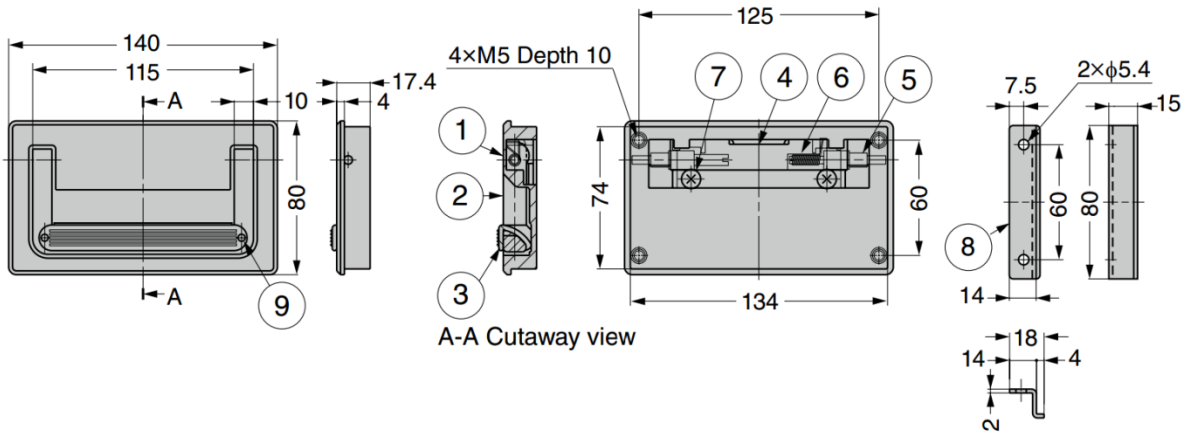
### Installation



### Cut Out Dimensions



No.	Part Name	Material	Finish / Colour
①	Body	Zinc Alloy (ZDC)	Chrome
②	Handle		
③	Grip	Elastomer (TPE)	Dark Blue
④	Back Cover	Steel (SPCC)	Coloured Zinc Chromate (Trivalent)
⑤	Shaft	Zinc Alloy (ZDC)	
⑥	Spring	Steel (SWP)	
⑦	Screw	Steel (SWCH)	-
⑧	Bracket	Steel (SPCC)	Coloured Zinc Chromate (Trivalent)
⑨	Screw	Stainless Steel	Black



Part No.	Load Capacity	
GMUD-140	294 N	30 kg